

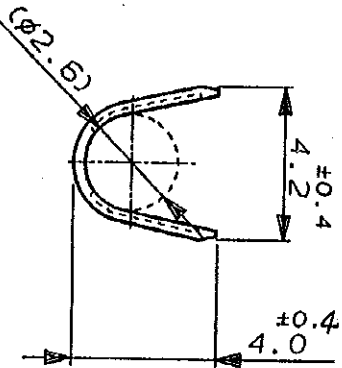
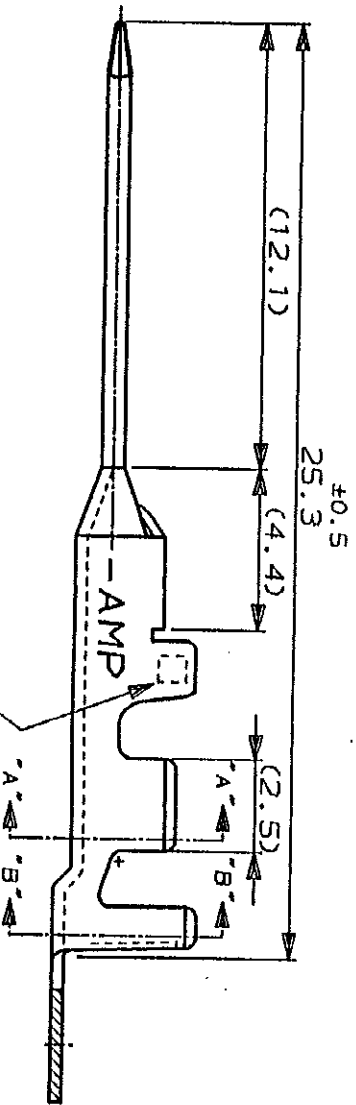
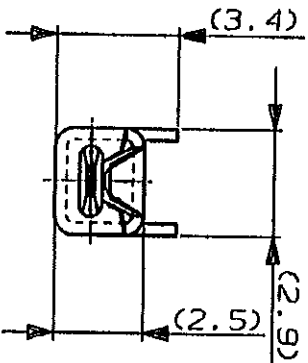
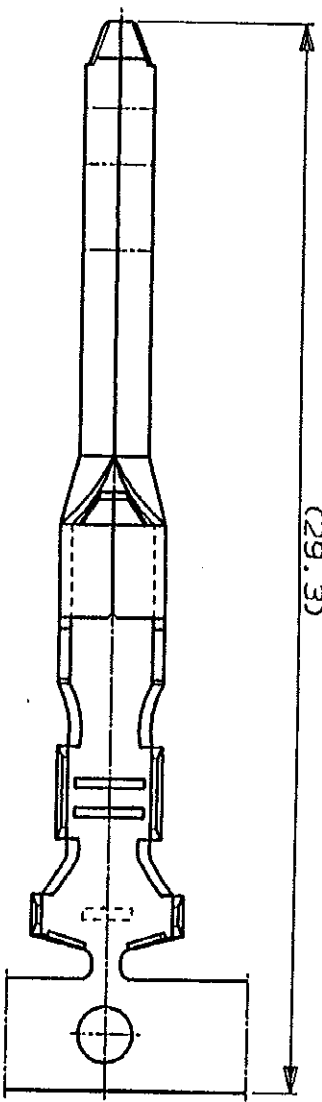
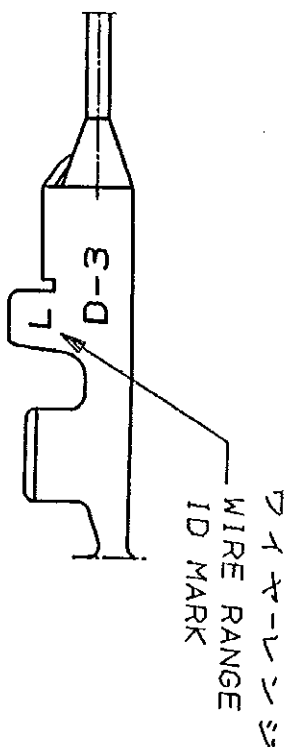
NUMBER
C-175286

METRIC
三角法 (3rd ANGLE PROJECTION)

U.855-111>U.DWG>S.C89-25173 WAS 91-25168-12,14,15
単位: *# DIMENSIONS IN MM. DO NOT SCALE PRINT

PRINT DIST

REV. 10/93



注記

△ 金めっきは接触部のみとする

NOTE

△ GOLD-PL. CONTACT AREA ONLY

LTR	変更 (REVISION RECORD)	DR	CHK	DATE
0	RELEASED (最終)	NM		

Copyright © 1991 AMP (Japan), LTD. ALL RIGHTS RESERVED.	
5	光沢銅めっき (BRIGHT TIN-PL.)
3	△ 0.76μm最小金めっき (0.76μmMIN. Au-PL.)
2	△ 0.38μm最小金めっき (0.38μmMIN. Au-PL.)
めっきコード (PL. ID NO.) 仕上 (FINISH)	
AWG 20-16 絶縁外皮 (INSULATION DIA.)	
銅合金 (COPPER ALLOY) 仕上 (FINISH) (SEE TABLE)	
DR. M. HARA	DE. M. HARA
3 MAR 92	5 MAR 92
4 MAR 92	5 MAR 92
Copyright © 1991 AMP (Japan), LTD. ALL RIGHTS RESERVED.	
Dynamic D-3 Series Tab. Contact	
SIZE	B
LOC	J
SCALE	5-1
REV.	0
SHEET	1 OF 1

(CUSTOMER DRAWING) 参考面